

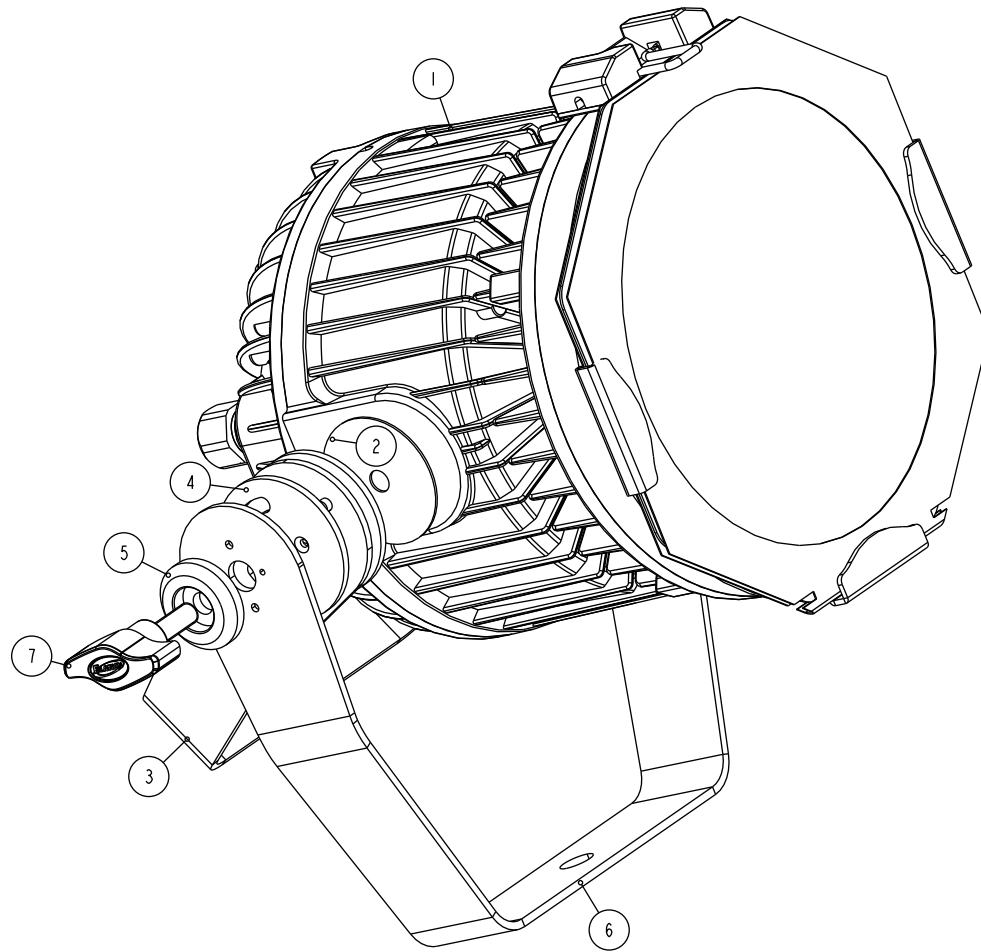
# Service manual

## ELAR 108 PAR RGBW

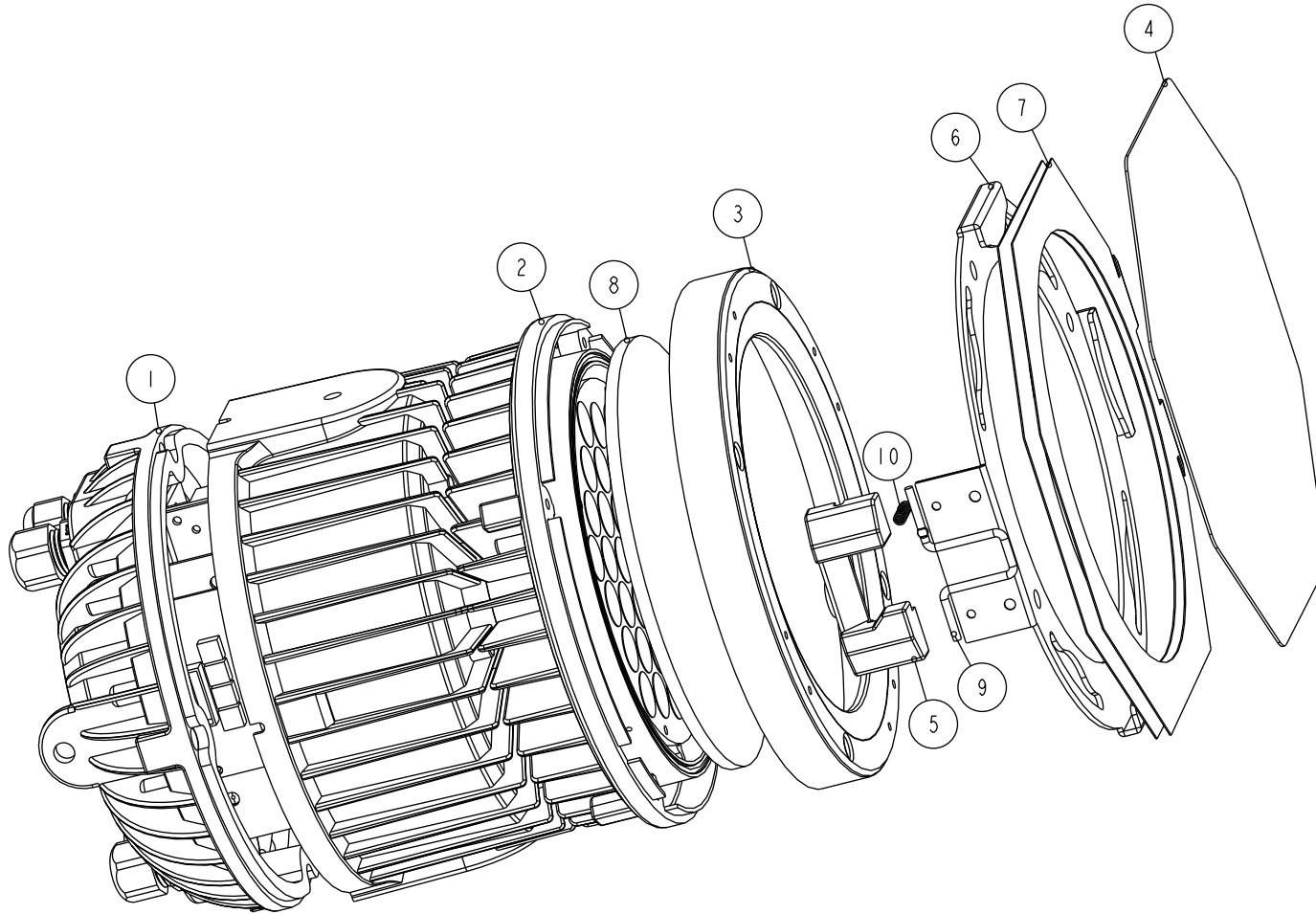
- ✘ **Exploded Diagrams**
- ✘ **Circuit Diagrams**
- ✘ **Wiring Diagrams**
- ✘ **Parts List**



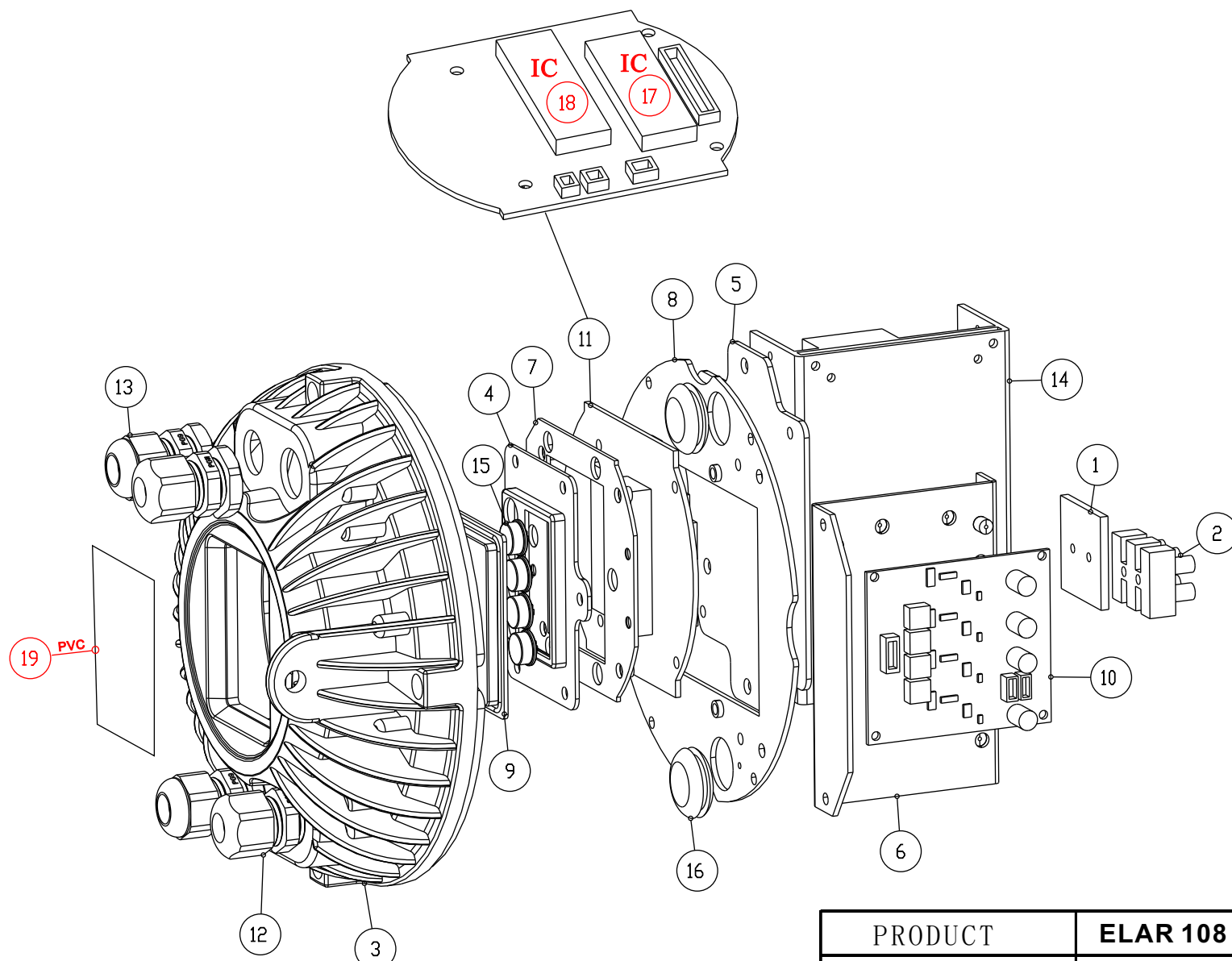
<b>PRODUCT</b>	<b>ELAR 108 PAR RGBW</b>			
<b>PIC. NO.</b>	<b>Front Page</b>	<b>Series NO.</b>	4503001- 4503400	
EDIT		<b>FILE NO.</b>	HY-EXP-647A	
CHECK		<b>ORDER NO.</b>	SO20100436/PO#2294	
APPROVE		<b>VERSION</b>	<b>NR</b>	<b>SOFTWARE VER.</b> V1. 3



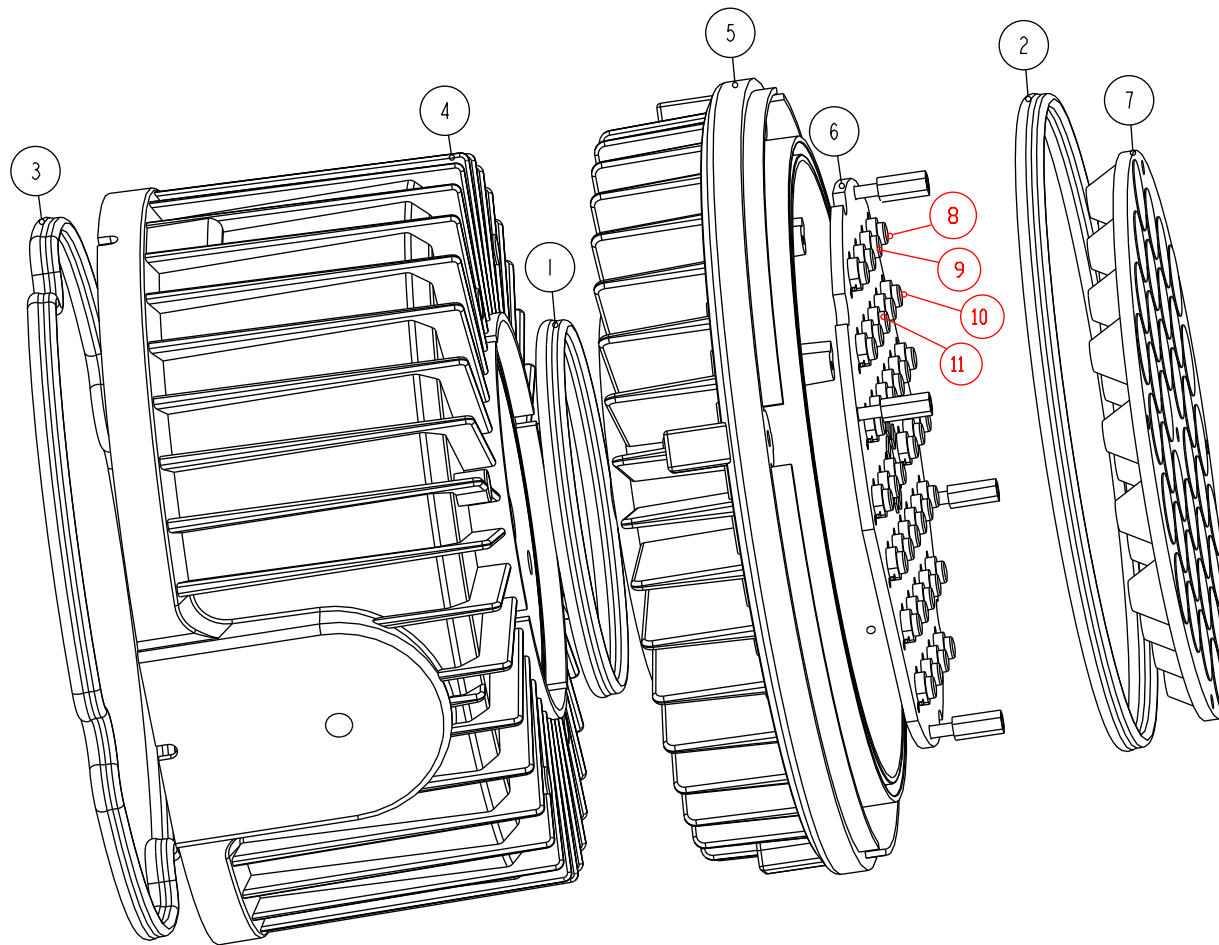
PRODUCT		<b>ELAR 108 PAR RGBW</b>			
PIC. NO.		<b>10-0097-00-00-00</b>			
EDIT		FILE NO.	HY-EXP-647A	PAGE NO.	1/8
CHECK		VERSION	NR	DATE	2010.11.08
APPROVE		ECN NO.		DATE	



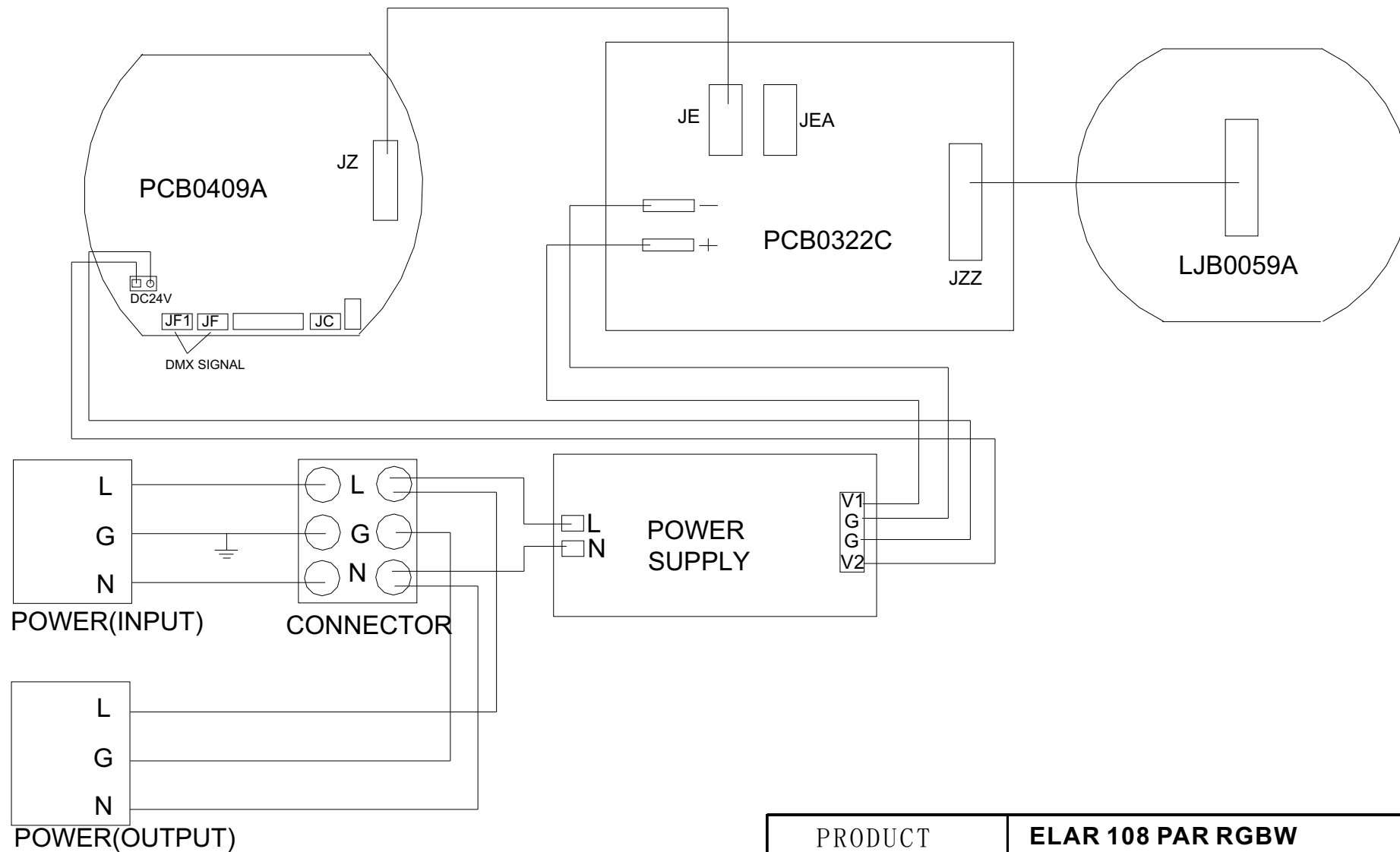
PRODUCT		<b>ELAR 108 PAR RGBW</b>			
PIC. NO.		<b>10-0097-01-00-00</b>			
EDIT		FILE NO.	HY-EXP-647A	PAGE NO.	2/8
CHECK		VERSION	NR	DATE	2010.11.08
APPROVE		ECN NO.		DATE	



PRODUCT		<b>ELAR 108 PAR RGBW</b>			
PIC. NO.		<b>10-0097-01-01-00</b>			
EDIT		FILE NO.	HY-EXP-647A	PAGE NO.	3/8
CHECK		VERSION	NR	DATE	2010.11.08
APPROVE		ECN NO.		DATE	

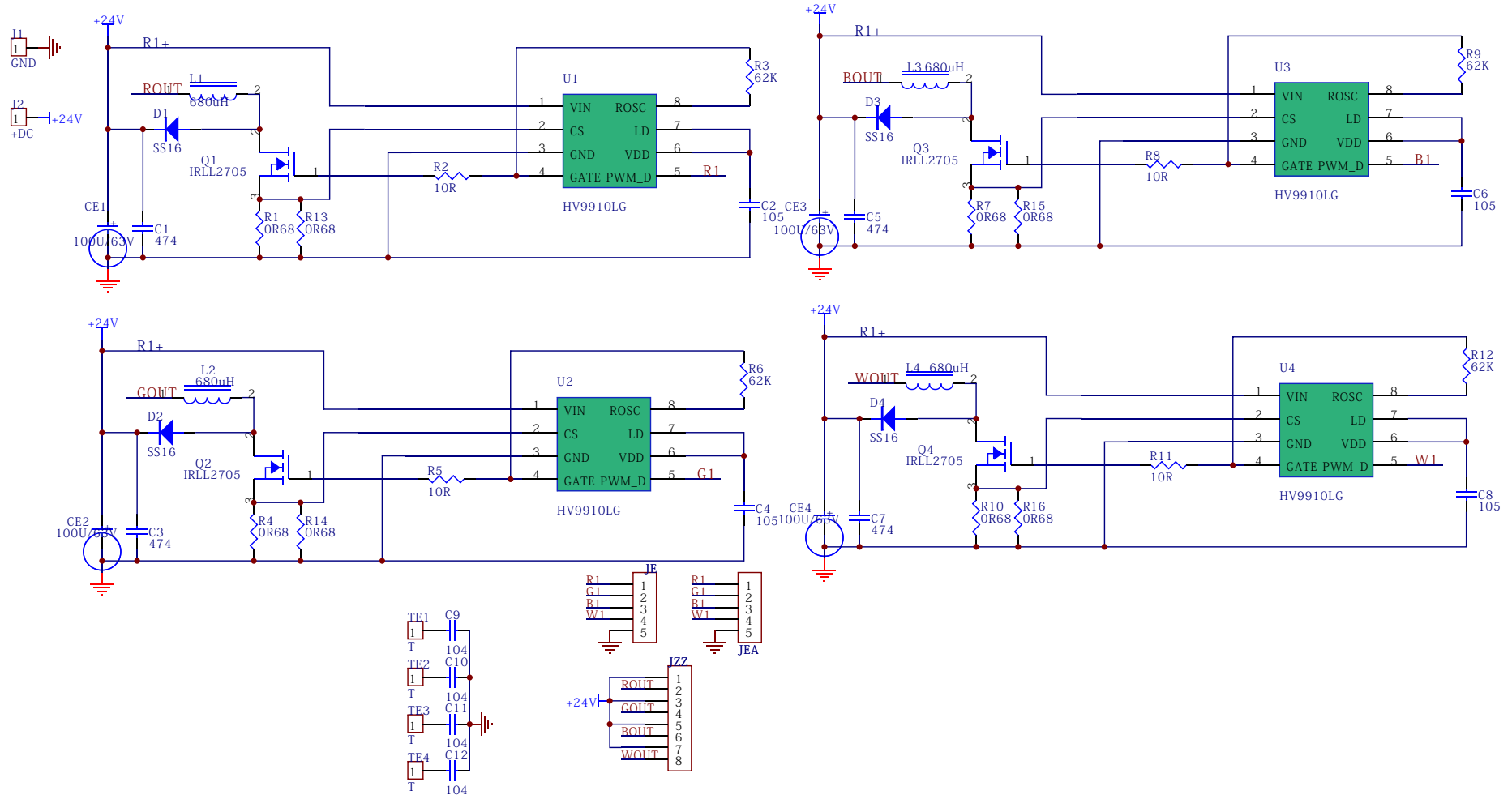


PRODUCT		<b>ELAR 108 PAR RGBW</b>			
PIC. NO.		<b>10-0097-01-02-00</b>			
EDIT		FILE NO.	HY-EXP-647A	PAGE NO.	4/8
CHECK		VERSION	NR	DATE	2010.11.08
APPROVE		ECN NO.		DATE	



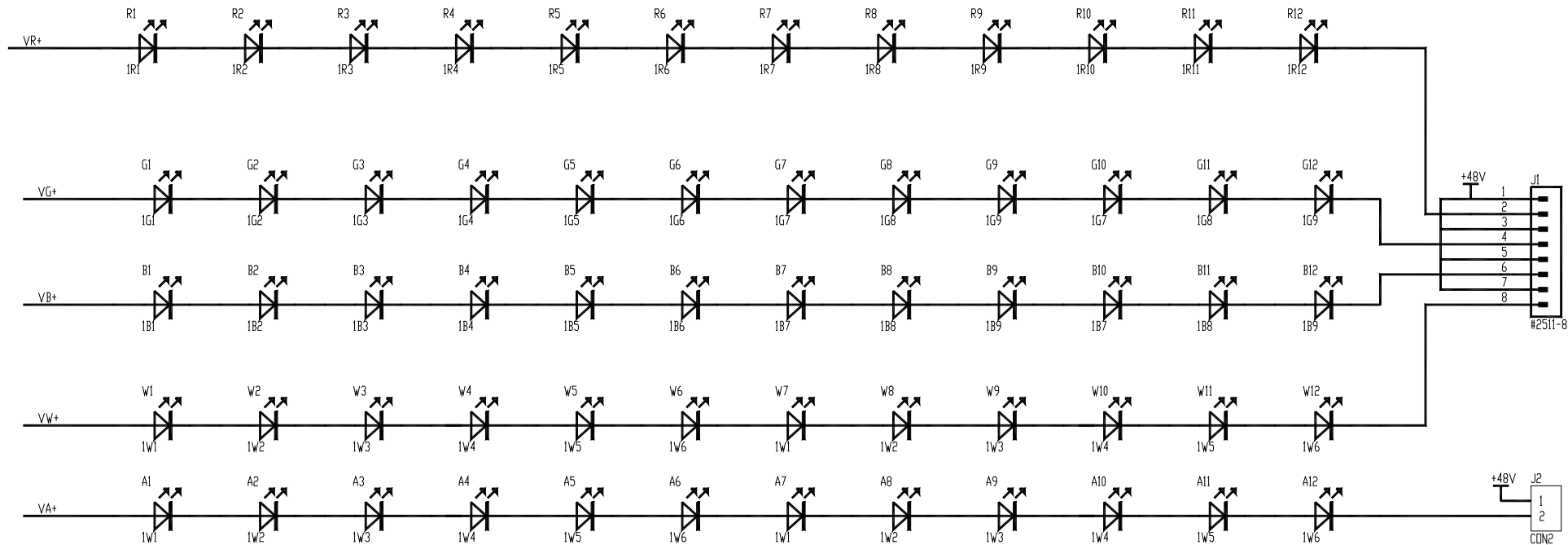
PRODUCT		<b>ELAR 108 PAR RGBW</b>			
PIC. NO.		<b>ELEAR 108 PAR RGBW ELECTRIC</b>			
EDIT		FILE NO.	HY-WIJL-G031	PAGE NO.	5/8
CHECK		VERSION	NR	DATE	2010.11.08
APPROVE		ECN NO.		DATE	





PRODUCT		ELAR 108 PAR RGBW			
PIC. NO.		PCB0322C SCHEME			
EDIT		FILE NO.	HY-WIEC-0511	PAGE NO.	7/8
CHECK		VERSION	NR	DATE	2010.11.08
APPROVE		ECN NO.		DATE	





PRODUCT		ELAR 108 PAR RGBW			
PIC. NO.		LJB0059A SCHEME			
EDIT		FILE NO.	HY-WIEC-0492	PAGE NO.	8/8
CHECK		VERSION	NR	DATE	2010.11.08
APPROVE		ECN NO.		DATE	